

**WARNING:**  
CHOKING HAZARD—Small parts.  
Not for children under 3 years.

ADULT SUPERVISION REQUIRED

**YUMMILAND™**

SKUs: 428008, 541691,  
541707, 541714, 541721

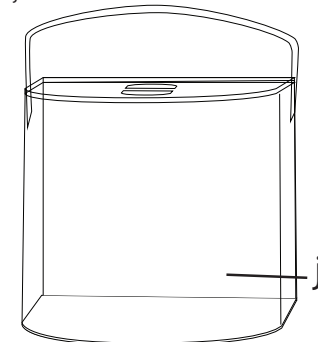
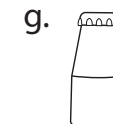
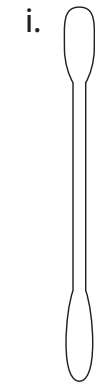
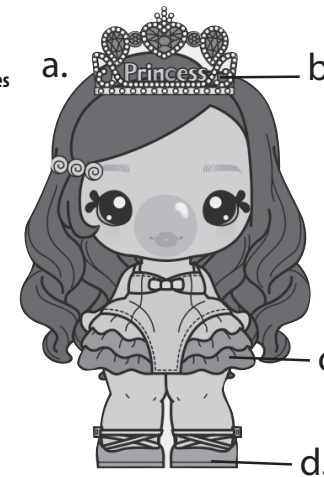
**DISPLAY AND STORAGE:**



Place your doll and lip balm into the container to display your cosmetics and prevent the scent of the doll from volatilizing quickly.

**CONTENTS**

- a. 1 Doll  
**Note: the bubblegum on the "Bubble Princess" doll is not removable**
- b. 1 Headpiece Accessory  
**Note: "Bubble Princess" doll comes with 1 Hair dip**
- c. 1 Outfit
- d. 1 Pair of Shoes
- e. 1 Lip Balm Pet Companion
- f. 1 Hairbrush
- g. 1 Bottle of Perfume
- h. 1 Bottle of Liquid Colorant
- i. 1 Stirring Spoon
- j. 1 Container



**WARNING**

- Not suitable for children under 4 years. For use under adult supervision. Read the instructions before use, follow them and keep them for reference. Keep the kit out of reach of children under 4 years old. If swallowed: Wash out mouth with water and drink some fresh water. Do not induce vomiting. Seek immediate medical advice.
- For use under adult supervision. May cause allergic reaction. Wash hands thoroughly after use.
- DO NOT apply lip balm around eyes. Only apply lip balm to the lip area.
- Cosmetics should not be used for purposes other than those listed in these instructions.
- Cosmetics are for external use only. Discontinue use if signs of irritation or rash appear. Do not use on broken skin.
- These cosmetics are laboratory tested and safe for use as prescribed. As with all cosmetics, some individual skin types may experience minor skin irritation to ingredients. If skin rash, irritation, sensitization or other allergic reactions occur, discontinue use immediately and seek medical advice.
- Do not ingest or inhale any of the cosmetics or contents included in this package.
- Avoid direct contact with eyes. If this occurs, flush with water immediately. If inflammation occurs or pain persists, seek medical advice.

**IMPORTANT INFORMATION**

- Protect and cover surrounding surfaces before use to prevent possible damage or staining. Color transfer may occur.
- Peel off the seal on lip balm before using.
- Products may damage or stain certain fabrics, carpeting, wood finishes, or other porous and polished surfaces.
- Keep paper towels (not included) handy for cleaning up spills, wiping fingers, etc.
- Thoroughly wash, rinse and dry containers after they have been used.
- Store lip balm and ingredients in a cool, dry environment.
- Wash hands before and after using cosmetics.
- Tightly close all lids and caps after use.
- Do not dispose of lip balm in the drain. Dispose in a trash receptacle once you are finished using it.
- Discontinue use if lip balm has been left opened for a long period of time or is dirty.
- Do not leave cosmetics in direct sun or in very hot areas.

Illustrations are for reference only. Styles may vary from actual contents.  
Please remove all packaging including tags, ties & tacking stitches before giving this product to a child.

©2024 MGA Entertainment, Inc.  
YUMMILAND™ is a trademark of MGA in the U.S. and other countries. All logos, names, characters, likenesses, images, slogans, and packaging appearance are the property of MGA.

The preferred method of contact for Customer Service is through our e-mail contact form at [www.mgae.com](http://www.mgae.com)

**MGA Entertainment, Inc.**  
9220 Winnetka Ave. Chatsworth, CA 91311  
U.S.A.  
(800) 222-4685



0424-1-E  
Printed in China

## QUICK START:

Before beginning, wash and dry hands thoroughly, then cover the play area to prevent possible damage.

**NOTE: Contents of this kit may not be used to create items for resale.**

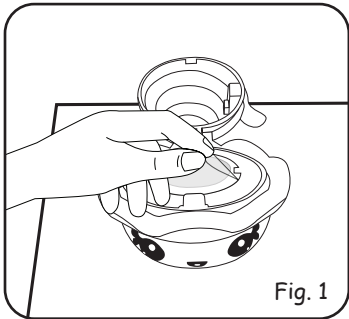


Fig. 1

Open the lip balm container at the hinge. Then, peel off the seal to uncover the lip balm base.

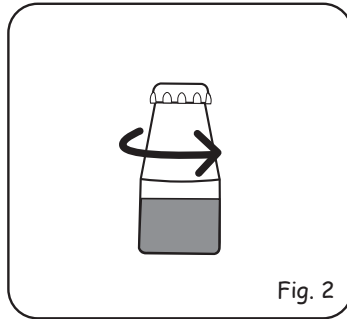


Fig. 2

Carefully twist the bottle of liquid scent counterclockwise to open.

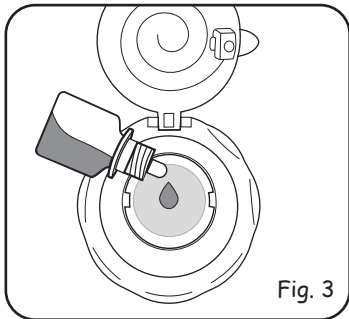


Fig. 3

Carefully add 2-3 drops at a time of the scented liquid into the lip balm container. Add more drops for your desired scent.  
**Note: The more drops you add, the more fragrant your lip balm will be.**

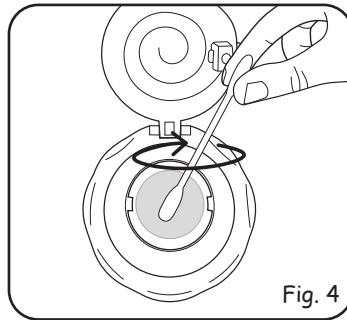


Fig. 4

Mix the lip balm mixture with the provided spoon to blend the balm with the scented liquid.

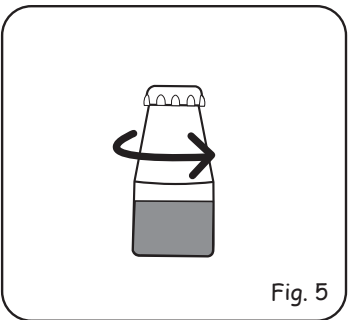


Fig. 5

Carefully twist the bottle of liquid colorant counterclockwise to open.

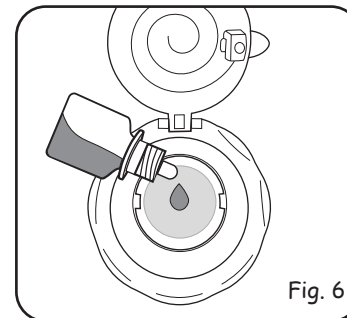


Fig. 6

Carefully add 2-3 drops at a time of the liquid colorant into the lip balm container. Add more drops for your desired color.  
**Note: The more drops you add, the brighter in color your lip balm will be.**

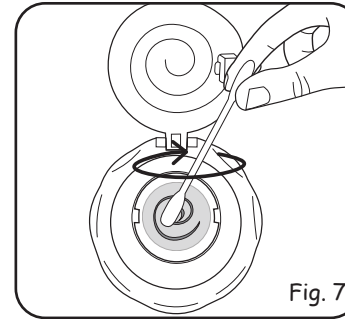


Fig. 7

Mix the lip balm mixture with the provided spoon until everything is combined.

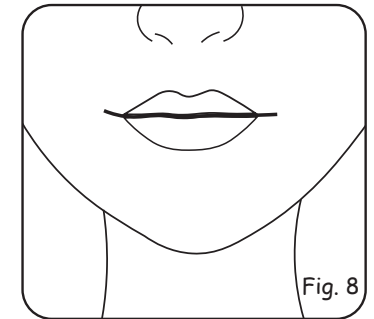


Fig. 8

Apply lip balm over clean lips. Remove the lip balm with water and a damp, clean towel (not included).

## FASHION ITEMS:

Put the outfit on the doll and securely clasp it together on the back.

