

Ages 8+

Not suitable for children under 8 years.

ADULT SUPERVISION REQUIRED

Conforms to ASTM D-4236

Read and follow instructions and safety guidelines before use.



WARNING!

Contents are not food. Do not eat!

- Caution: Very Warm – Resin under UV exposure.
- Avoid skin contact. Wash hands thoroughly after use.
- Avoid touching resin with fingers before the gel is completely dry. Always use the supplied tweezers.
- Avoid playing with resin with broken skin.
- Keep resin away from eyes.
- If irritation occurs, discontinue use.
- Use in a well-ventilated area.
- Always use wall anchors appropriate to your wall type, like plaster, drywall, concrete, etc.
- Select wall mount hardware suitable for holding a min. of 15 lbs. (6.8 kg).
- When possible, mount to wood studs.
- Take care to avoid hidden electrical wires and pipework.
- Consult a qualified professional for mounting if you have concerns.
- DO NOT install on a wall where items can fall off and injure a child.
- CHOKING HAZARD: Unassembled hardware (not included) may be a choking hazard to children 3 years and younger.
- Adult assembly required. Keep unassembled parts out of reach of small children.
- Serious or fatal injuries can occur from standing on or pulling on mounted unit. DO NOT allow children to climb on the mounted case.
- Keep remote controls and other items that might attract children away from this product.
- DO NOT place any item other than MGA's Miniverse in the storage case.

IMPORTANT INFORMATION

Please keep this manual for reference as it contains important information.

- Each pack has unique materials; some packs may have a few more pieces than needed.
- Do not use any items or accessories which have not been supplied with the set or recommended in the instructions for use with this kit.
- In case of injury, always seek medical advice.
- If swallowed: Wash out mouth and drink fresh water. Do not induce vomiting. Seek immediate medical advice.
- Do not place and store in kitchen or other food storage area.
- Do not mix with real food.
- Keep younger children under the specified age limit and animals away from the activity area.
- Do not eat, drink or smoke in the activity area.
- Children's abilities vary, even within age groups. Supervising adults should use these instructions and exercise discretion as to which activities are suitable and safe for them.
- Maximum load weight for storage case and contents is 4 lbs. (1.8 kg). Do not overload.

©2023 MGA's MINIVERSE™ is a trademark of MGA in the U.S. and other countries. All logos, names, characters, likenesses, images, slogans, and packaging appearance are the property of MGA.

Printed in China

US - MGA Entertainment Inc. 9220 Winnetka Ave,
Chatsworth, CA 91311, U.S.A.
Tel: +1 (800) 222-4685
www.mgae.com/contact

AU/NZ - Imported by MGA Entertainment Australia Pty Ltd.
Suite 5.05, 32 Delhi Road,
Macquarie Park NSW 2113. AU.
Tel: 1 300 059 676
Email: au-sales@mgae.com

The preferred method of contact for Customer Service is through our e-mail contact form at www.mgae.com



MAKE IT
MINI FOOD™

0623-0-E

BEFORE YOU START!

- Contents, including specifications and colors, may vary from photos depicted.
- Cover the play area to prevent resin damage to surfaces.
- An adult must be present when playing with resin.
- Keep rubbing alcohol or wipes close by to clean up messes and your hands. Rubbing alcohol or wipes not included.
- It is highly recommended to wear gloves and eye protection while using resin. Gloves and eye protection not included.

HOW TO PLAY WITH RESIN!

- Think of your resin as glue. Use it to make everything stay in place. Note: When using as a base holder, make sure to expose resin to daylight or a UV light (not included) to set it.
- To make it easier to pour, try keeping the bottle upside down, with the CAP ON, in a cup or bowl for at least 1 minute.
- When poured, resin will take a few seconds to drip or spread.
- Don't overfill your cups & plates – make sure you have enough room for your ingredients.
- If large bubbles appear when pouring, use the tip of the tweezers to pop them. (Note: The more you mix/stir the resin, the more bubbles will appear.)
- While resin is still wet, using tweezers, take the time to carefully place all your items before taking it outside to set.

1 MAKE IT

- Build your dish or drink using the ingredients and step-by-step recipe card from your pack.
- Note: Each pack has unique ingredients; some packs may have a few more pieces than needed for the recipe.
- You can mix ingredients to make your own creations.



2 SET IT

- Set the resin under daylight or a UV light (not included) for at least 5 minutes or until resin has hardened.
- Only check if resin is hardened with the tweezers included.
- Bring the dish or drink back indoors to cool down before touching it.



CHEF'S TIPS

Warm up the bottle of resin in your hands for a minute or more to make it easily pourable.

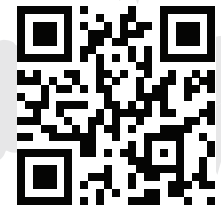
Resin still sticky after 5 minutes?

Give it a little more time under the light. The more exposure it gets, the better it will set.



TO VIEW RECIPE VIDEOS:

Visit miniverse.mgae.com

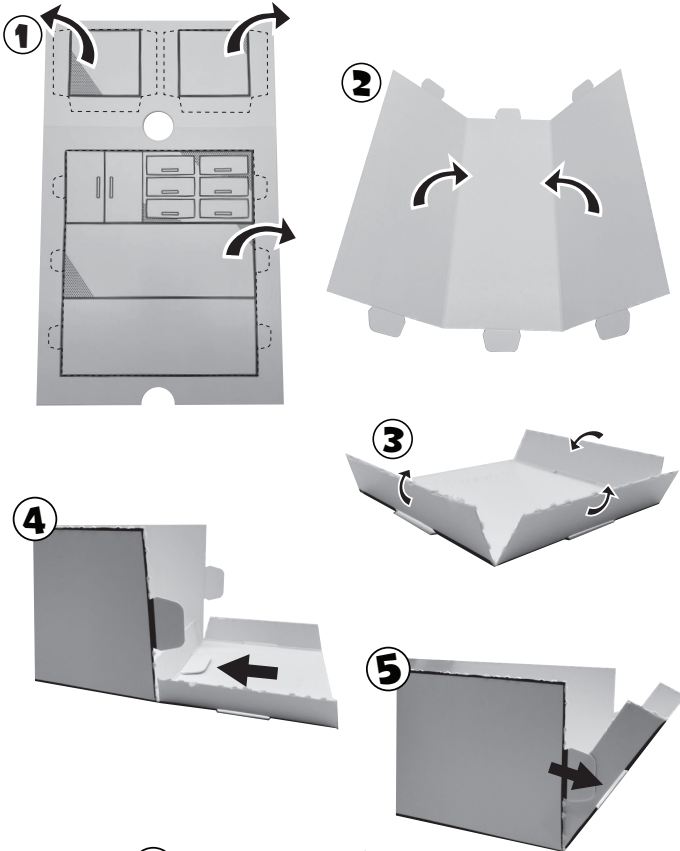


SKU: 502944

3 SHOW IT

Assemble the island table to display your dishes and drinks:

- Carefully push along the perforation line to tear out each piece. **PRO TIP:** fold along the perforation lines first for an easier tear.
- Fold along the creases inward on the larger piece.
- Fold the tabs on the smaller side pieces upright.
- Grab one of the smaller pieces and align it with the tabs on the larger piece. Insert the middle tab into the slot.
- Lift the smaller piece upward and insert each side tab.
- Repeat on the other side to complete assembly. Flip the table rightside up and begin displaying!



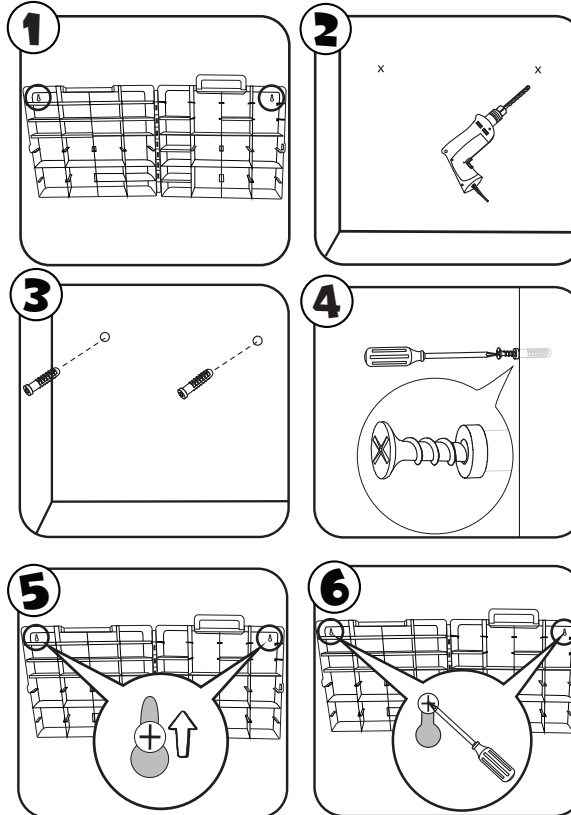
Mount the carrying case onto a wall for display:

Items you will need (not included):



- A. 2 x 4.7mm (3/16") Wood Screws (recommended)
- B. 2 Plastic Wall Anchors (1/4" or 6.5mm)
- C. Drill D. 1/4" or 6.5mm Drill Bit
- E. Screwdriver F. Safety Glasses
- G. Spirit Level (recommended)

- Open the case and hold it against the wall. Use a pencil to mark the location of the screw openings (the center of the narrow part of the openings). Ensure the top two holes are level. Use a spirit level if required.
- Use a 1/4" (6.5 mm) drill bit to drill two holes in the wall where you marked and insert two plastic 1/4" wall anchors into the holes. DO NOT drill oversized holes, or the anchor will not hold tightly to the wall.
- Use a screwdriver to fasten the screws into the wall anchors, but do not tighten all the way.
- Place the screw openings on the case over the screws. Then, slide the case down so the screws are in the narrow parts of the openings.
- Use a screwdriver to firmly tighten the screws. Do not over-tighten to prevent damaging the case.



4 STORE IT

- Use the crispers and crates to store your materials and ingredients.
- When you're finished with your dish or drinks, store them inside the case.
- Place the insert/divider on the left side of the carrying case to ensure your contents remain in the spaces when on the go!



CUSTOMIZE YOUR CASE

- Arrange the shelves by sliding the rounded side into the open spaces with ridges.
- Insert the crispers with the lip facing out.
- Shelves cannot be used in the same spaces with crates or crispers.
- Crates and crispers may not fit in spaces with rounded edges.

